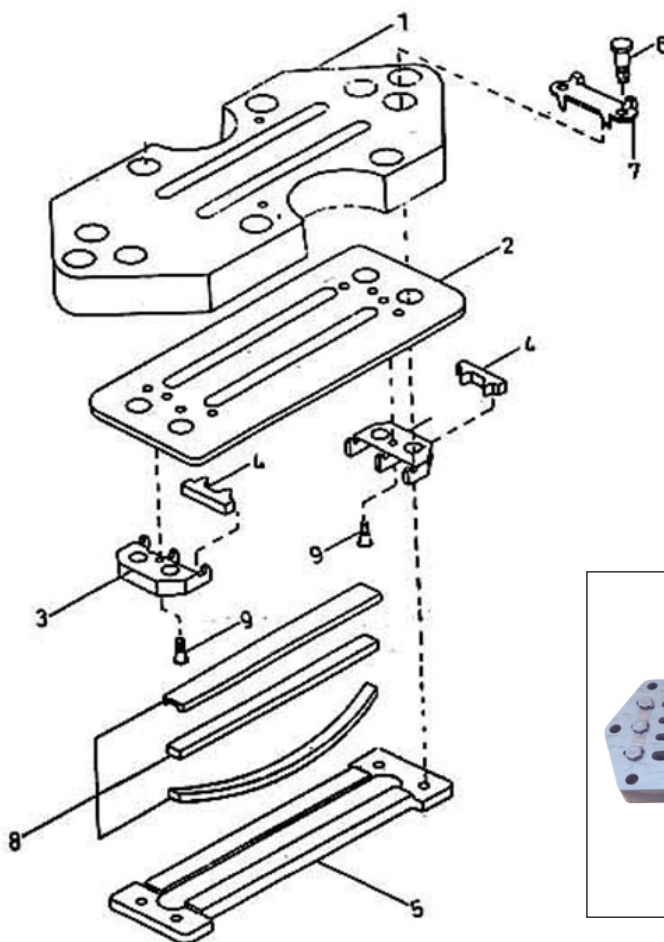


37020419 - ASSEMBLY VALVE INLET



No.	Description	Ref Part No.	QTY
-	ASSEMBLY VALVE INLET	37020419	-
1	- SEAT VALVE	37074762	1
2	- SEAT PLATE	37021581IM	1
3	- HOLDER GUIDE	31535867IM	2
4	- GUIDE VALVE **	37041324	4
5	- STOP PLATE	30252944	1
6	- BOLT HEX HEAD 1/4" X 1-1/2"	95105466	6
7	- WASHER LOCK	31225485	2
8	- CHANNEL & SPRING SET	30504450IM	1
9	- SCREW GUIDE	31208549IM	2

All manufacturer's names, numbers, photos, product description and/or part numbers are used for reference purposes only & it is not implied that any part listed is the product of these manufacturers. Since Approvement are made from time to time, the illustration and specifications are subject to change without notice.